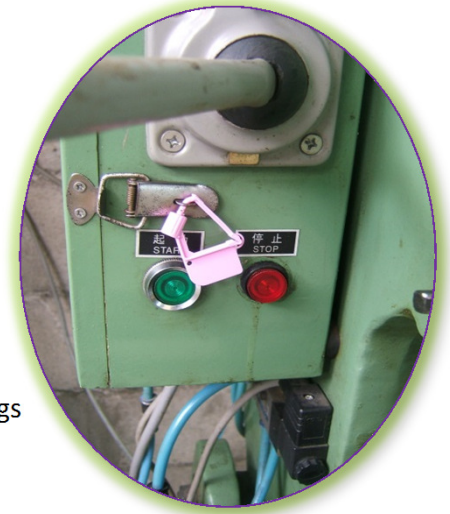
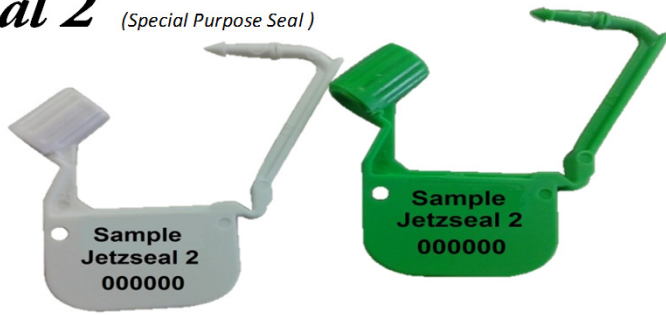


Plastic Indicative Seals



Jetzseal 2 (Special Purpose Seal)



Material

Body : Polypropylene

Properties

Average Breaking Strength : About 5kgs

Application

- Bonded airline carts
- ATM Cassettes
- Security Cabinet & Container
- Utility Meters & valves
- Identification tags

Key Features

- Easy sealed & removed
- Suitable for temperatures ranging form -20°C to 80°C
- Self Loking seal is easy to close with one hand
- Small seals for easy storage .

Marking

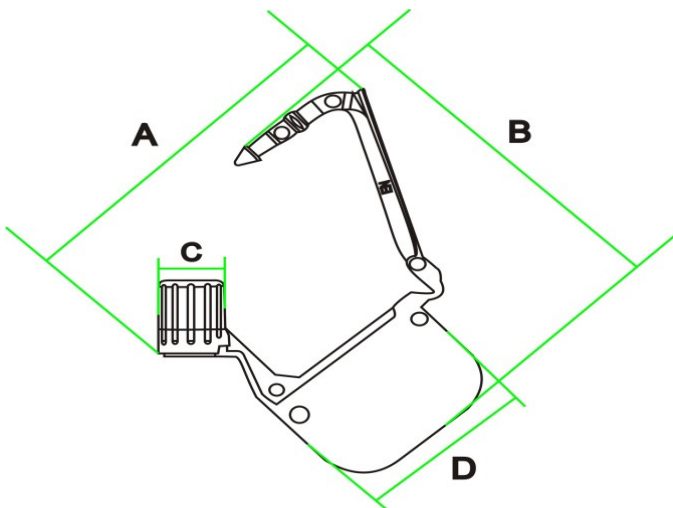
- Laser marking or Hot Stamping
- Customize Letter / Logo / Moulded Logo
- Sequential numbering
- Laser Barcoding

Colours

- Available in standard colors , White, Green, Purple, Yellow
- Special colors are available on request , subject to minimum order quantity .
- Available in mat of 5 pieces.

Dimension

Model Name	Model Dimension				Packaging		
	A (mm)	B (mm)	C (mm)	D (mm)	Quantity / Box (pieces)	Weight / Box (Kgs)	Box Dimension (mm)
Jetzseal	46.62	59.09	8.5	24.97	2,000	2.87kgs	510 x 315 x 150



Line Drawing for Jetzseal 2

Envotech Sdn Bhd

36, Lorong IKS Juru 3, Taman IKS, 14100 Juru, Bukit Mertajam, Penang, Malaysia
 Tel : +604-5071366 Fax: +604-5071367 Email: info@envotech.com.my Websites : www.envotech.com.my